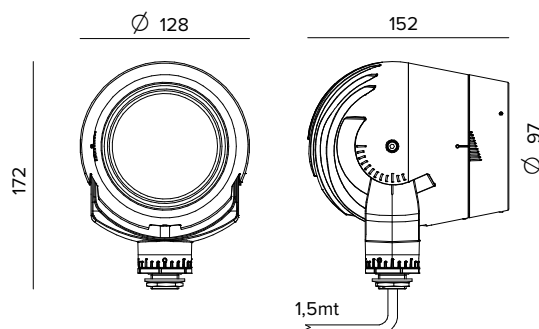


## E012ZM827BT | VADER SOLO

### Adjustable outdoor professional projector equipped with a zoom optic



The fixture's photometric values can be found on the following pages



The figures on the drawing are expressed in mm.

#### SOURCE

High efficiency Chip on Board LED Ra80 (2700K).

**Energy efficiency class:** C

**Nominal power:** 35W

**Nominal flux:** 5295lm

**Colour rendering index:** 80

**Rf:** 80

**Rg:** 97

**CCT nominal:** 2700K

**Lifetime (L80/B10):** 70000h tq +25°C

#### ILLUMINOTECHNICAL CHARACTERISTICS

Zoom optic composed of three PMMA elements operating together, a fixed TIR lens and a second adjustable lens. Rotation of 22° using the front sealing ring of the second lens allows for the zoom range between the minimum and maximum beam opening respectively of 24° and 41°. Graduated adjustment scale with 2 steps. Optic group pre-set for the installation of one or more dedicated optical accessories to be ordered separately.

**Optic:** LENS

**Beam angles:** FL-MWFL

**Optical efficiency:** See photometries

**Fixture flux:** See photometries

**Luminous efficacy:** See photometries

**Photobiological safety:** Compliant with RG1 low risk group

#### MECHANICAL CHARACTERISTICS

Die-cast aluminium body with 3 layers of protection: anodised, cataphoresis and black paint. The optical unit can be adjusted from -20° a +90° on the vertical plane and 355° on the horizontal plane with the possibility to block the beam. Extra-clear tempered front glass glued flush.

**Colour and finish:** Black

**Weight:** 2.15Kg

**Degree of protection:** IP66

**Mechanical Resistance:** IK09

#### ELECTRICAL CHARACTERISTICS

Optional power supply available with ON-OFF, 0-10V dimmable and DALI dimmable 1050mA electronic driver.

**Fixture Power:** 35W

**Power supply:** 1050mA

**Insulation Class:** CLASS 3

**Driver included:** NO

**Class F:** YES

**Ambient temperature:** -25°C / +50°C

#### INSTALLATION

The product can be installed combined with one of the various installation accessories, to be ordered separately. Surface installation on bases, stakes, bollards, trees and poles.

#### NOTES

Commissioning of the control system via free APP; the intervention of a specialist technician can be quoted on request.

#### WARRANTY

5 years.

Due to the technological evolution of the electronic components, the data provided may be updated, and as such, confirmation must be requested during the order process.

Luminous flux and power supply have +/-10% tolerances with respect to the indicated value. tq +25°C (CIE 121).

We reserve the right to make technical changes.

Targetti Sankey S.r.l.  
Via Pratese, 164  
50145 Firenze - Italy  
Tel: +39 055 37911  
targetti.com  
targetti@targetti.com

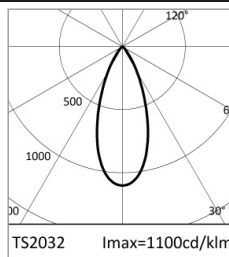
CCIAA Firenze  
Share Capital:  
€ 500.000,00  
VAT N. (IT):  
01537660480  
R.E.A: FI-275656

**TARGETTI**

**E012ZM827BT | VADER SOLO**  
Adjustable outdoor professional projector equipped with a zoom optic



	2700K	H(m)	D(m)	Emax(lx)		
	Ra80		24°			
Fixture Power	35W	1	0.43	13206		
Source Flux	5295lm	2	0.87	3302		
Fixture Flux	3363lm	3	1.30	1467		
Efficacy	95lm/W	4	1.73	825		
TS2031	Imax=2494cd/klm	Imax	13206cd	5	2.16	528



	2700K	H(m)	D(m)	Emax(lx)		
	Ra80		41°			
Fixture Power	35W	1	0.74	5822		
Source Flux	5295lm	2	1.48	1456		
Fixture Flux	3250lm	3	2.22	647		
Efficacy	92lm/W	4	2.97	364		
TS2032	Imax=1100cd/klm	Imax	5822cd	5	3.71	233

**SP / 1050MA**

Fixture flux 3363lm  
Luminous efficacy 95lm/W  
Optical efficiency 64%

**MWFL / 1050MA**

Fixture flux 3250lm  
Luminous efficacy 92lm/W  
Optical efficiency 61%

Due to the technological evolution of the electronic components, the data provided may be updated, and as such, confirmation must be requested during the order process.  
Luminous flux and power supply have +/-10% tolerances with respect to the indicated value. tq +25°C (CIE 121).

Targetti Sankey S.r.l.  
Via Pratese, 164  
50145 Firenze - Italy  
Tel: +39 055 37911  
targetti.com  
targetti@targetti.com

CCIAA Firenze  
Share Capital:  
€ 500.000,00  
VAT N. (IT):  
01537660480  
R.E.A.: FI-275656



We reserve the right to make technical changes.

## E012ZM827BT | VADER SOLO

### Adjustable outdoor professional projector equipped with a zoom optic

## Related codes

### Power Supply

Dimensions LxHxP mm	Power	Power supply	Output current	IP	Code
129x30x42	40W MAX	220-240Vac	1050mA	IP20	<b>A080EL</b>
143x31x80	52W MAX	220-240Vac	1050mA	IP67	<b>A081EL</b>

Electronic ON-OFF power supply.

Dimensions LxHxP mm	Power	Power supply	Output current	IP	Code
124x22x79	50W MAX	220-240Vac	1050mA	IP20	<b>A080DA</b>
143x31x80	70W MAX	220-240Vac	1050mA	IP67	<b>A081DA</b>

DALI power supply.

## Accessories

### Bracket



Colour	Code
	<b>A044BT</b>

Bracket for surface installation.  
Powder coated stainless steel.

### Mounting System



Colour	Code
	<b>A040BT</b>

Round base for surface installation of fixture.  
Powder coated aluminium (with a stainless steel fixing bracket).



Colour	Code
	<b>A041BT</b>

Round base plate.  
Powder coated stainless steel.  
**A041BT** - To be completed with A040BT.



H mm	Colour	Code
244		<b>A047BT</b>
844		<b>A048BT</b>

Spike with base for surface installation.



H mm	Colour	Code
208		<b>A050BT</b>
808		<b>A051BT</b>

Earthspike.



Colour	Code
	<b>A042BT</b>

Hexagonal base with a hole for projector surface installation.  
Powder coated die-cast aluminium covering.  
Stainless steel fixing base.



Colour	Code
	<b>A043BT</b>

Blind hexagonal base.  
Powder coated die-cast aluminium covering.  
Stainless steel fixing base.

*Due to the technological evolution of the electronic components, the data provided may be updated, and as such, confirmation must be requested during the order process.*  
*Luminous flux and power supply have +/-10% tolerances with respect to the indicated value. tq +25°C (CIE 121).*

We reserve the right to make technical changes.

Targetti Sankey S.r.l.  
Via Pratese, 164  
50145 Firenze - Italy  
Tel: +39 055 37911  
targetti.com  
targetti@targetti.com

CCIAA Firenze  
Share Capital:  
€ 500.000,00  
VAT N. (IT):  
01537660480  
R.E.A.: FI-275656

**TARGETTI**

## E012ZM827BT | VADER SOLO

### Adjustable outdoor professional projector equipped with a zoom optic

#### Mounting System



Colour Code

● **A052BT**

Pole attachment for a single projector.  
Anodised and powder coated aluminium.  
Pole Ø 60mm.



Colour Code

● **A053BT**

Pole attachment for two projectors.  
Anodised and powder coated aluminium.  
Pole Ø 60mm (+/-2mm).



Ø mm H mm Colour Code

50 232 ● **1E3785BT**

Earthspike.  
Powder coated stainless steel.

#### Bracket



Colour Code

● **A049BT**

Bracket for installation on trees.  
To be completed with accessory strap A023.  
Powder coated stainless steel.

#### Mounting System



L mm Code

2000 **A023**

Strap for tree bracket (tree installation).



Colour Code

● **A045BT**

Multiple base for surface installation of 2 projectors.  
Powder coated stainless steel.



Colour Code

● **A046BT**

Multiple base for surface installation of 3 projectors.  
Powder coated stainless steel.

*Due to the technological evolution of the electronic components, the data provided may be updated, and as such, confirmation must be requested during the order process.*  
*Luminous flux and power supply have +/-10% tolerances with respect to the indicated value. tq +25°C (CIE 121).*

*We reserve the right to make technical changes.*

Targetti Sankey S.r.l.  
Via Pratese, 164  
50145 Firenze - Italy  
Tel: +39 055 37911  
targetti.com  
targetti@targetti.com

CCIAA Firenze  
Share Capital:  
€ 500.000,00  
VAT N. (IT):  
01537660480  
R.E.A: FI-275656

**TARGETTI**

## E012ZM827BT | VADER SOLO

### Adjustable outdoor professional projector equipped with a zoom optic

#### Screen



Colour	Code
●	<b>A036BT</b>

Cylindrical screen.  
Powder coated aluminium.  
Short version.



Colour	Code
●	<b>A037BT</b>

Asymmetric screen.  
Powder coated aluminium.



Colour	Code
●	<b>A038BT</b>

Cylindrical screen.  
Powder coated aluminium.  
Long version with prismatic glass.

#### Filter



Colour	Code
●	<b>A039BT</b>

Blade of light filter.  
Refractive glass filter with blade of light effect.  
Completed with powder coated aluminum alloy holder ring.

#### Connector



Code
<b>1E2493</b>

Linear connection box IP68.  
4 poles max. wire section 2.5mm<sup>2</sup>.  
Cable diameter range from 7 to 12mm.

#### Tool



Code
<b>1E3305</b>

Tightening wrench for the connector kit.

Due to the technological evolution of the electronic components, the data provided may be updated, and as such, confirmation must be requested during the order process.  
Luminous flux and power supply have +/-10% tolerances with respect to the indicated value. tq +25°C (CIE 121).

We reserve the right to make technical changes.

Targetti Sankey S.r.l.  
Via Pratese, 164  
50145 Firenze - Italy  
Tel: +39 055 37911  
targetti.com  
targetti@targetti.com

CCIAA Firenze  
Share Capital:  
€ 500.000,00  
VAT N. (IT):  
01537660480  
R.E.A.: FI-275656

**TARGETTI**

## E012ZM827BT | VADER SOLO

### Adjustable outdoor professional projector equipped with a zoom optic

#### Control systems



Code

**1E3048**

IP67 wireless control unit with DALI interface.

It generates a local DALI2 bus, enabling a direct connection to a DALI interface LED driver.

The module can only be used in a closed system and cannot be connected to an existing DALI network.

The module is wireless controlled using a Casambi app for smartphones and tablets using Bluetooth 5.0 technology.

The devices automatically create an adaptive, robust, and reliable wireless mesh network, allowing for the easy and efficient management of a high number of fixtures.

The control unit is preset to the DALI 1CH profile, meaning the device can control a single DALI driver with broadcast commands.

In addition to the DALI broadcast, other operating modes are available, such as:

- Button (normally open)
- Control unit 0/1-10V
- Control unit DALI Tunable White DT8
- Presence sensor



Code

**1E4369**

IP67 Extender for wireless control of LED driver with dimming DALI interface based on Casambi technology.

It has a DALI2 output with the capacity to control up to 40 lighting fixtures.

With the addition of a further external BUS DALI power supply it is possible to control up to 64 fixtures.

IP67 Extender is preset to the DALI broadcast profile, meaning all the luminaires connected to it are dimmable at the same level.

In addition to the DALI broadcast other operating modes are available, such as:

- EXTENDER DALI 8CH
- EXTENDER DALI Tunable White
- EXTENDER DALI 4CH
- EXTENDER DALI DT8 Tunable White

Due to the technological evolution of the electronic components, the data provided may be updated, and as such, confirmation must be requested during the order process.

Luminous flux and power supply have +/-10% tolerances with respect to the indicated value. tq +25°C (CIE 121).

We reserve the right to make technical changes.

Targetti Sankey S.r.l.  
Via Pratese, 164  
50145 Firenze - Italy  
Tel: +39 055 37911  
targetti.com  
targetti@targetti.com

CCIAA Firenze  
Share Capital:  
€ 500.000,00  
VAT N. (IT):  
01537660480  
R.E.A.: FI-275656

**TARGETTI**